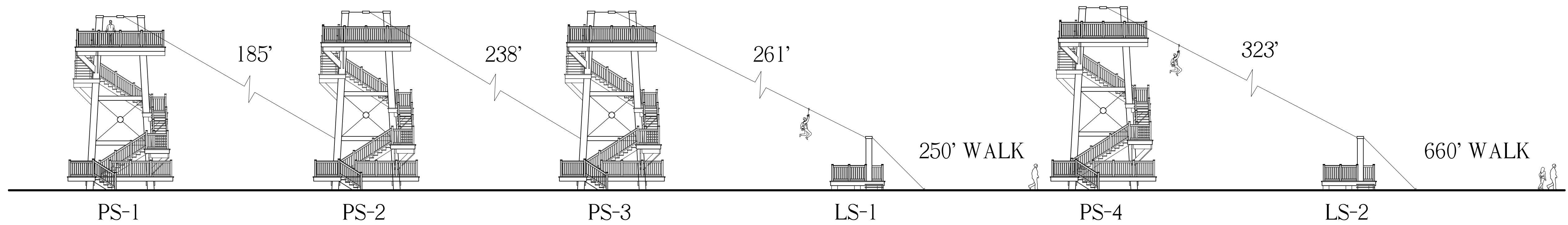




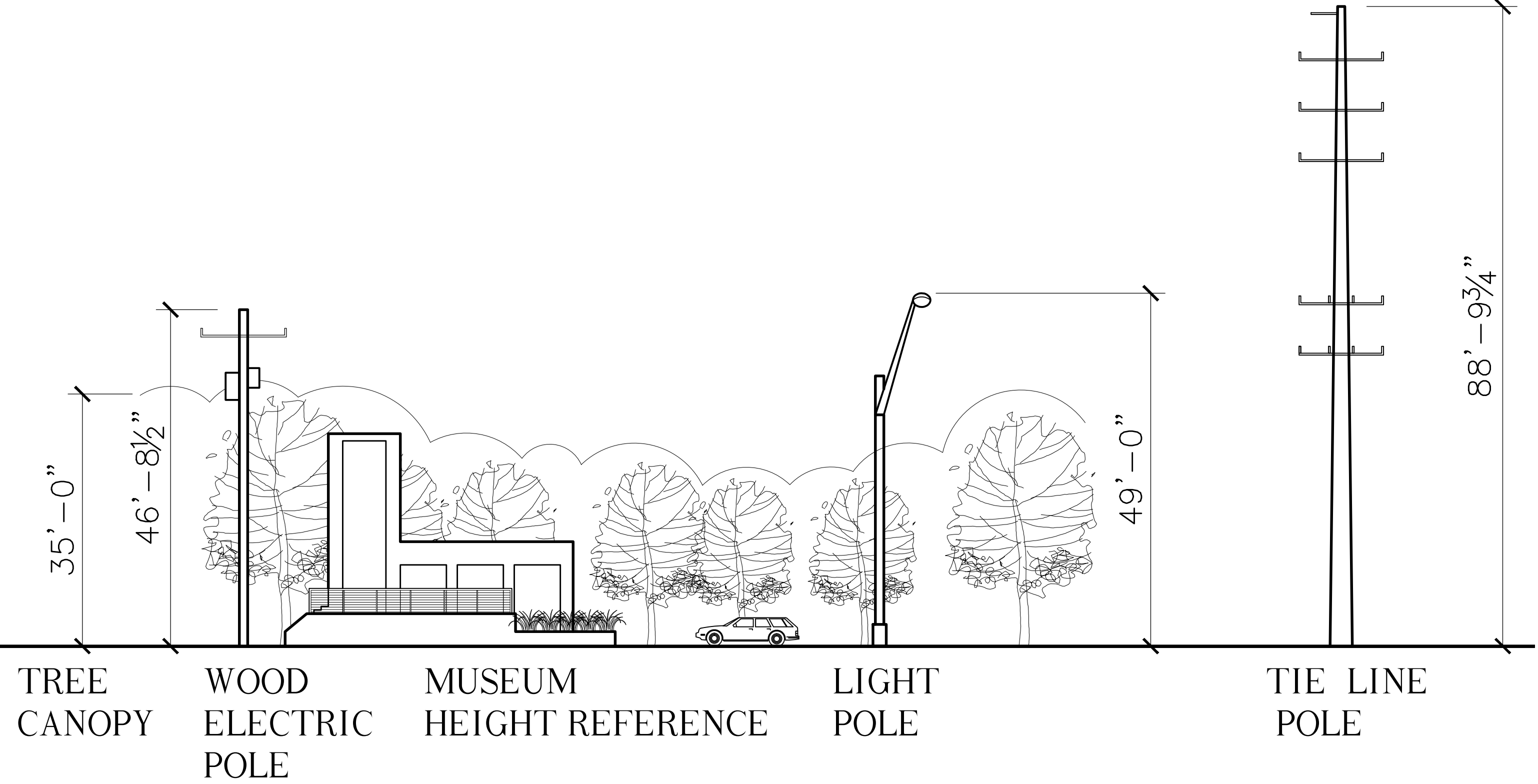
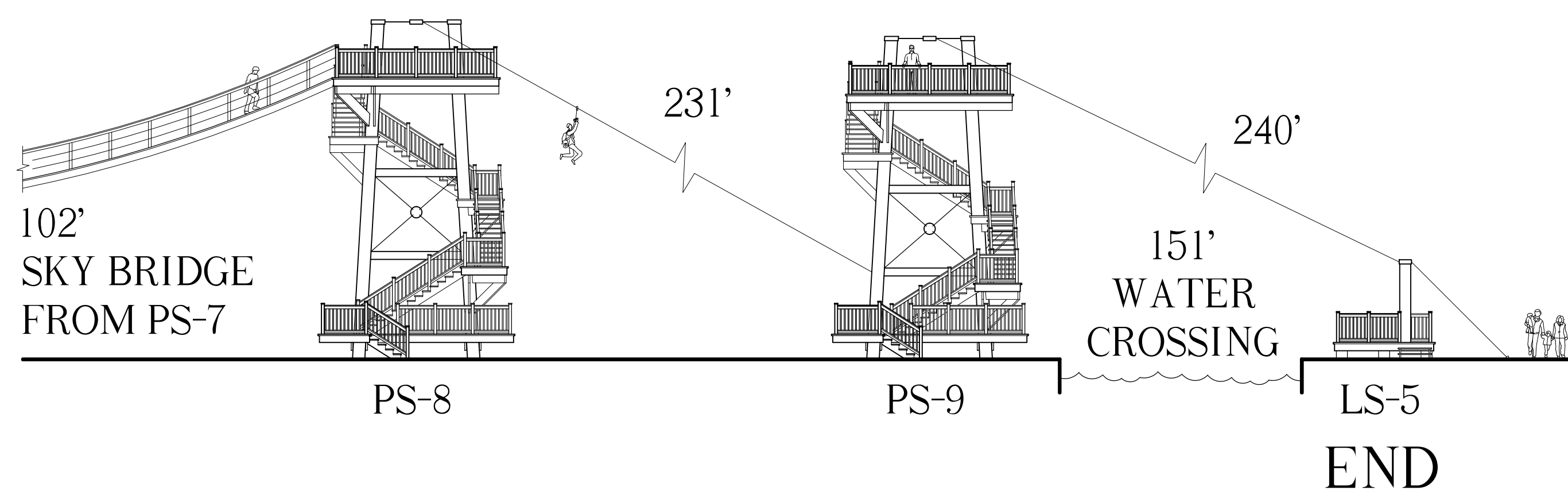
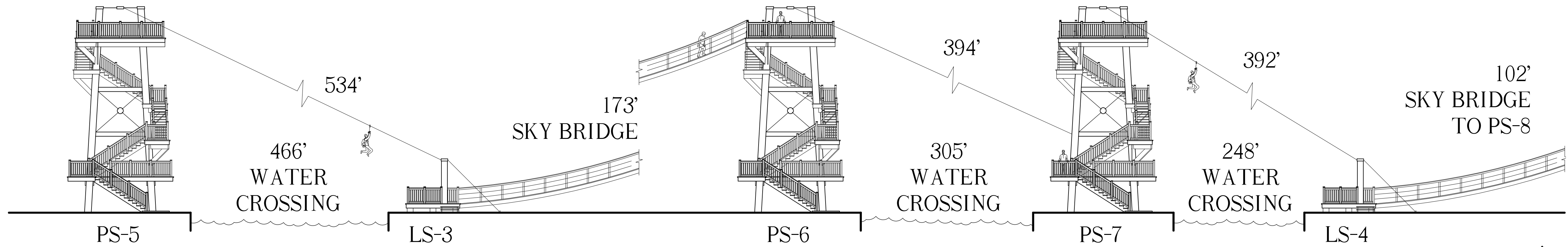
CRACKER HOUSE
START



660' WALK
FROM LS-2 TO PS-5
PASS BY ADDERLEY HOUSE



ADDERLEY HOUSE



1
A-2
CRANE POINT DIAGRAM
SCALE : 5/64" = 1'-0"

ECO - ADVENTURE CANOPY TOUR
CRANE POINT
MARATHON, FLORIDA

WILLIAM P. HORN
ARCHITECT, P.A.

915 EATON ST.
KEY WEST,
FLORIDA
33040

TEL: (305) 296-8302
FAX: (305) 296-1033

LICENSE NO.
AA 0003040

ECO - ADVENTURE
CANOPY TOUR
CRANE POINT
MARATHON, FL.

MITCHELL
PLANNING & DESIGN

TERRAMER
ENVIRONMENTAL SERVICES, INC.

KBP CONSULTING, INC.



SEAL

THESE DRAWINGS MAY
NOT BE REPRODUCED
WITHOUT WRITTEN
AUTHORIZATION BY
WILLIAM P. HORN

DATE
03-15-13

REVISIONS

DRAWN BY
AR

PROJECT
NUMBER
1305

